

X3 Cross-Trainer X3-XX0X-0201

Hardware Bag 6989101

ITEM NO.	QTY.	PART NO.	DESCRIPTION
1	1	693 8401	ASSEMBLY, LOWER FRAME - SHORT
2	1	694 8001	ASSY., CRANKS HAFT
3	1	322 5301	BEARING, 12 MM BALL
4	2	692 9101	WLDMT., ARM, CRANK, FLAT
5	2	322 3909	5/16-18X36 SCREW, HEX HEAD, GR5
6	2	310 2805	NUT, NYLOCK 5/16-18 ZN
7	2	322 3001	KEY, .250 SQUARE
8	4	322 5006	WASHER, .760-1.125-030 SPEC ST ZN
9	4	322 5201	WAVE WASHER, .780-1.004-0105 SP-D ST NO
10	4	322 3201	8-32 X 6 TRX PAN SEMS MS ST BZ
11	1	3230301	BELT, POLY V, 520J10
12	1	688 1801	ASSY., FLYWHEEL
13	1	322 3314	3/8-16 X 68 HEX HEAD BOLT
14	5	310 2802	NUT, NYLOCK 3/8-16
15	1	694 3501	ASSY., TENSIONER
16	1	692 3701	BUSHING, FLANGE, TENSIONER
17	1	694 3601	ASSEMBLY, ACTUATOR
18	32	322 3401	SCREW, 10-32 X 6 PHL PAN TT ST BZ
19	1	694 4401	ASSY., OPTO SENSOR-BRACKET
20	2	690 8201	ASSY, FXD CPL R
21	4	322 3318	3/8-16 X 12 HEX HEAD BOLT
22	4	322 5001	WASHER, .406-.875-060 SPEC ST ZN
23	2	690 9701	ASSY, IDLER
24	4	322 3310	3/8-16 X 52 HEX HEAD BOLT
25	2	693 7801	CAP, TUBE 1.75 DIA
26	2	323 2415	RING, BRE .704, 5100-75 ST PP B
28	4	310 2601	WASHER, LOCK 3/8 ID (RH screw#3224401, qty4)
29	1	699 6401	ASSY, PLNR PDL LVR, RH (Pedal only#7583701)
30	1	699 6501	ASSY, PLNR PDL LVR, LH (Pedal only#7583601)
31	1	691 4701	COVER, CLEVIS 2" TOP RH (LH screw#3224402, qty4)
32	1	691 4801	COVER, CLEVIS 2" BOTTOM RH
33	1	691 5401	COVER, CLEVIS 2" TOP LH
34	1	691 5501	COVER, CLEVIS 2" BOTTOM LH
35	2	691 4901	COVER, CLEVIS 1.75" TOP

ITEM NO.	QTY.	PART NO.	DESCRIPTION
36	2	691 5001	COVER, CLEVIS 1.75" BOTTOM
37	1	691 1201	SHROUD, REAR RIGHT
38	1	691 1101	SHROUD, REAR LEFT
39	1	691 1301	SHROUD, REAR LOWER
40	7	322 6003	SCREW, 6-20 X 8 PHL PAN PLT BZ
41	2	693 7901	CAP, 1.5 X 4.0 TUBE
42	2	693 8001	CAP, TUBE 2.50 DIA
43	1	694 4501	CABLE ASSY, LOWER FRAME
44	2	693 7601	COVER, CRANK
45	2	693 7701	PLATE, SUPPORT, COVER
46	4	322 3603	SCREW, 10-24 X 8 PHL FLT MS ST ZN
47	1	323 2420	RING, BRE .926, 5100-98 ST PP B
48	2	322 2901	WASHER, FLAT 3/8 ID SAE
49	1	698 0401	LABEL, X3 MODEL - RH
50	1	698 0501	LABEL, X3 MODEL - LH
51	2	322 6801	CABLE TIE, 3/16" X 11"
52	1	698 8701	LABEL, PATENT
53	1	643 3001	LABEL, SERIAL NUMBER
54	2	322 3802	1/4-20 X 12 UNS HEX CS G5 ZN
55	2	310 2506	WASHER, FLAT 1/4 ID SAE
56	2	311 4503	WASHER, LOCK 1/4 ID SAE
57	1	693 9501	ASSEMBLY-UPRIGHT FRAME-SHORT
58	1	690 9401	ASSEMBLY-ROCKER ARM-RH
59	1	690 9501	ASSEMBLY-ROCKER ARM-LH
60	2	323 2421	E-RING
61	2	322 5005	WASHER, 1.031-1.375-031 SPEC ST ZN
62	2	322 5202	WAVE WASHER, 1.051-1.351-015-SP-D ST
63	2	310 2601	WASHER, LOCK 3/8 ID
64	2	322 5003	WASHER, .406-1.375-060 SPEC ST ZN
65	2	322 3318	3/4-16 X 12 HEX HEAD BOLT
66	2	693 7801	CAP, TUBE 1.75 DIA
67	1	669 2601	CAP, END 3 X 2 10-14 GA
68	2	696 8301	FOAM GRIP, STATIONARY HANDLEBAR
69	1	694 4701	CABLE ASSEMBLY, UPRIGHT FRAME
70	1	322 6801	CABLE TIE, 3/16" X 11"

Misc. Parts

Polar Receiver
6844201
HR Cable
6844401

HR Transmitter
6844101
HR Strap
6844301
Activity Zone
6984701
(X3I Only)

Accessory Tray
XK-0001-0101
Accessory Tray
w/ HR
XK-0002-0101

Display Console
Standard
XCS-0201-0101

Console Screws
3226003

Display Console
Interactive
XCI-0201-0101

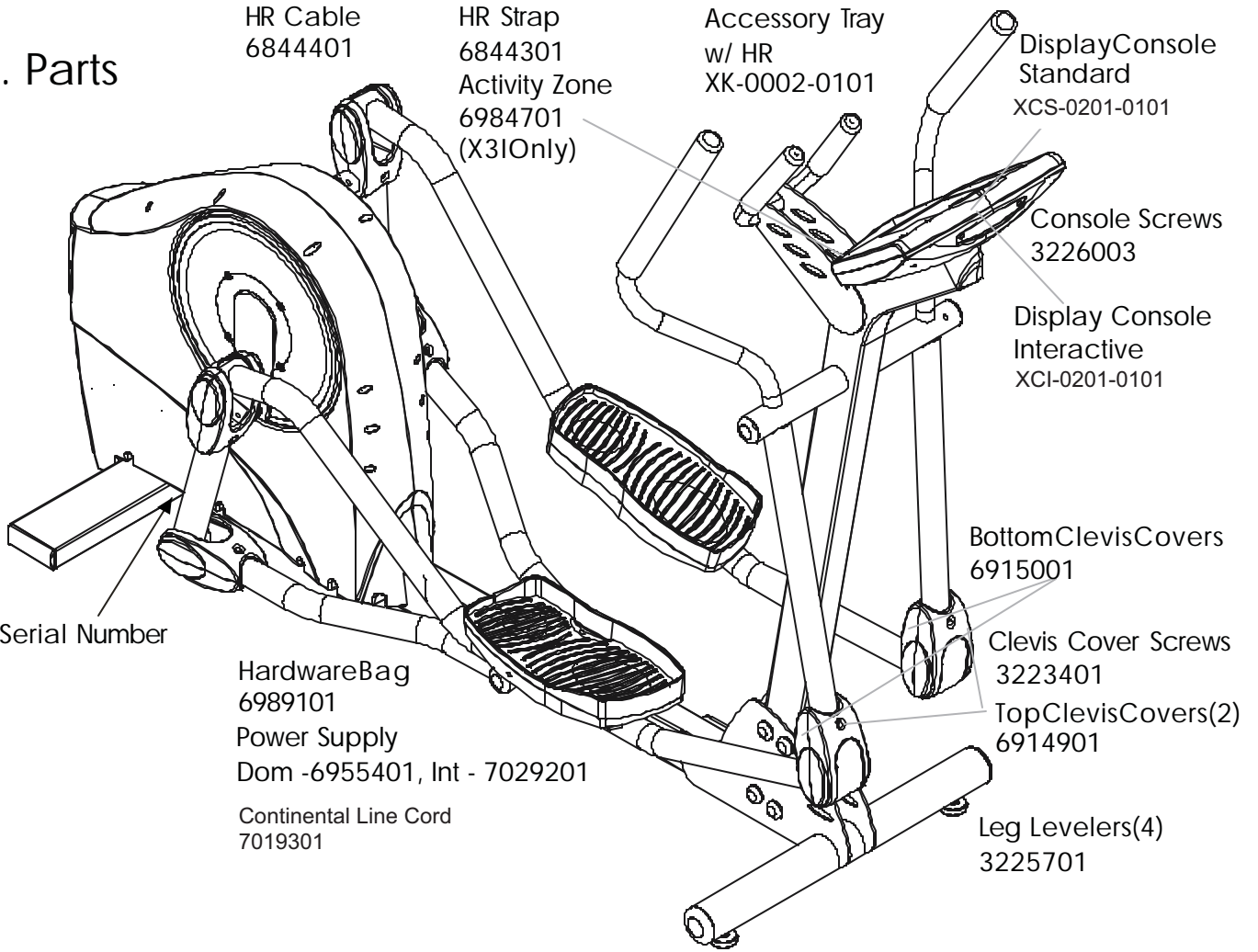
Bottom Clevis Covers
6915001

Clevis Cover Screws
3223401
Top Clevis Covers(2)
6914901

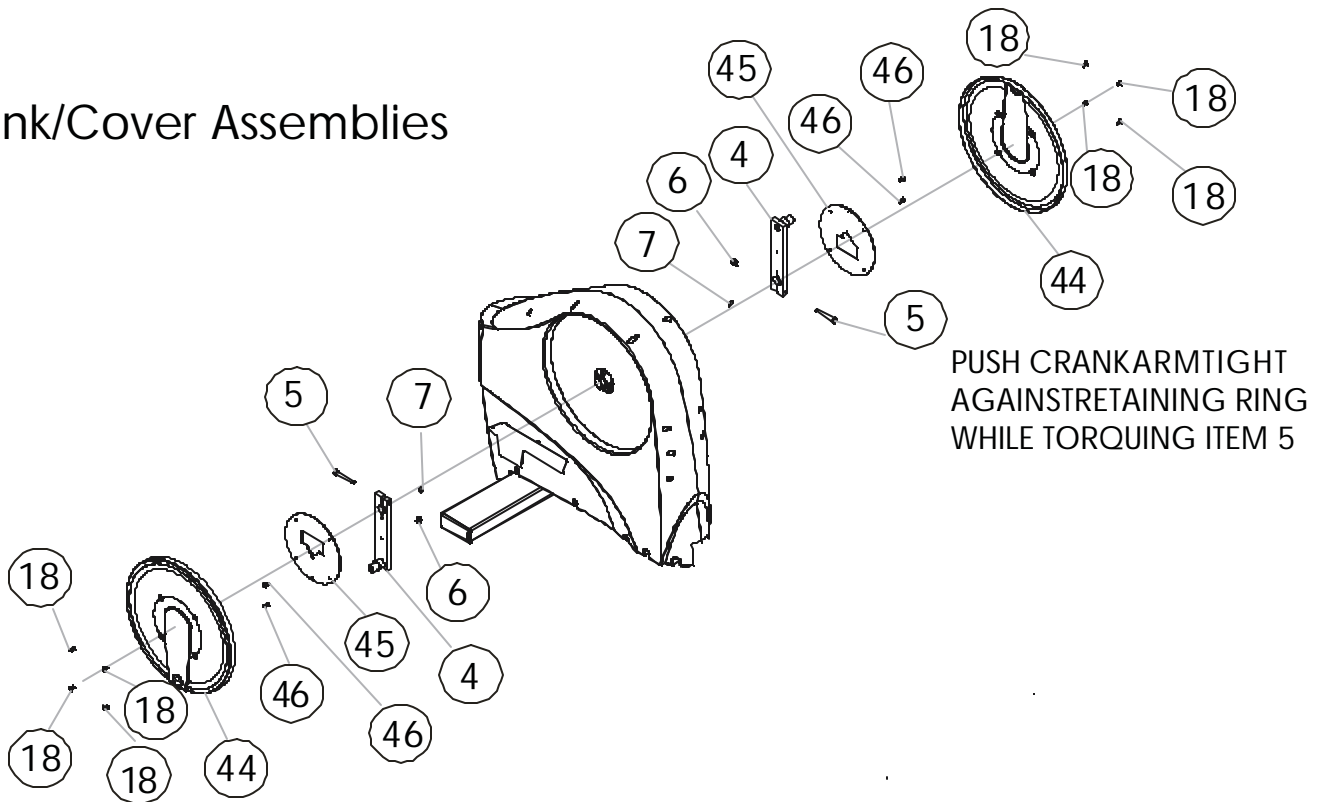
Leg Levelers(4)
3225701

Hardware Bag
6989101
Power Supply
Dom - 6955401, Int - 7029201
Continental Line Cord
7019301

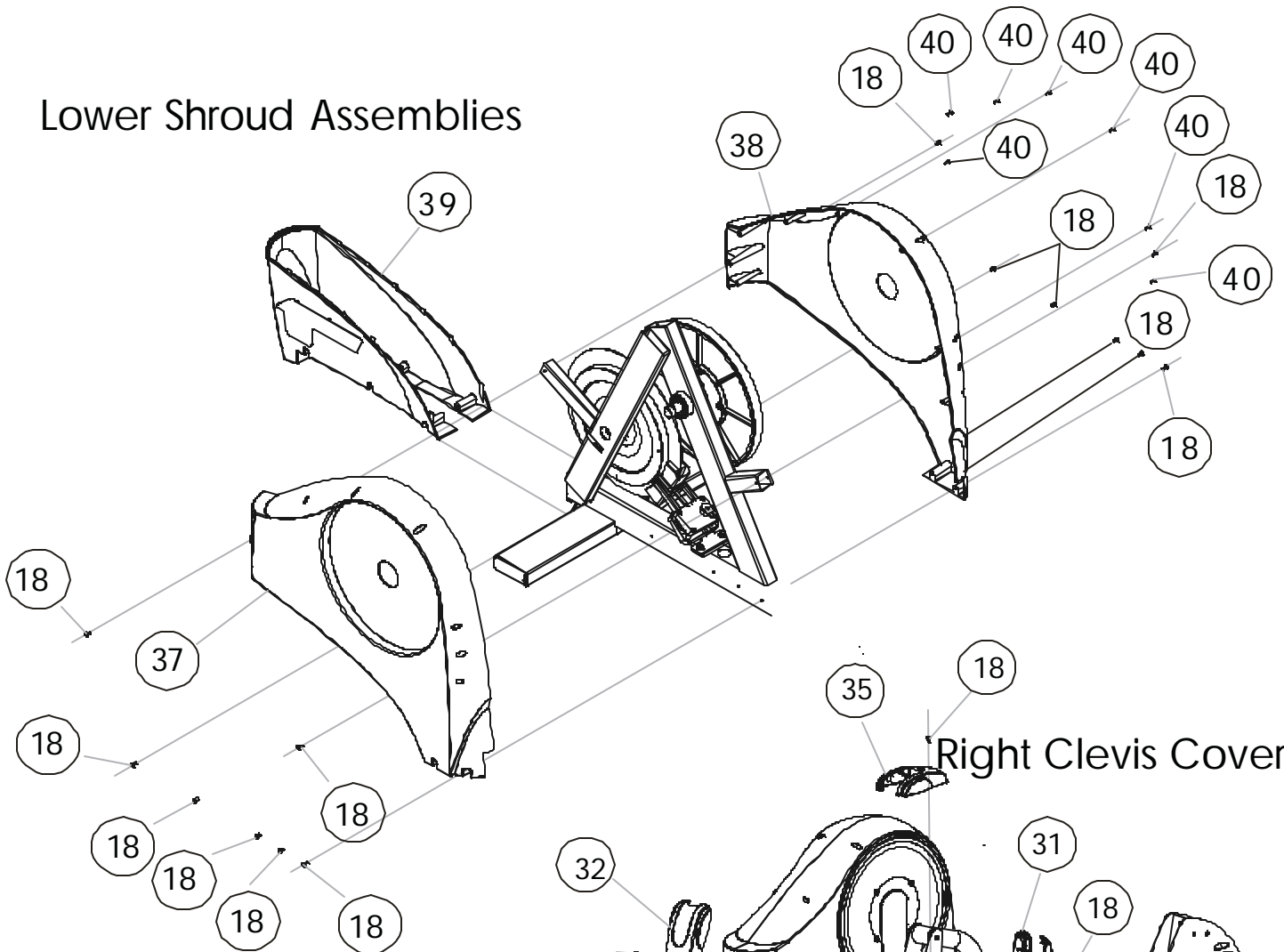
Serial Number



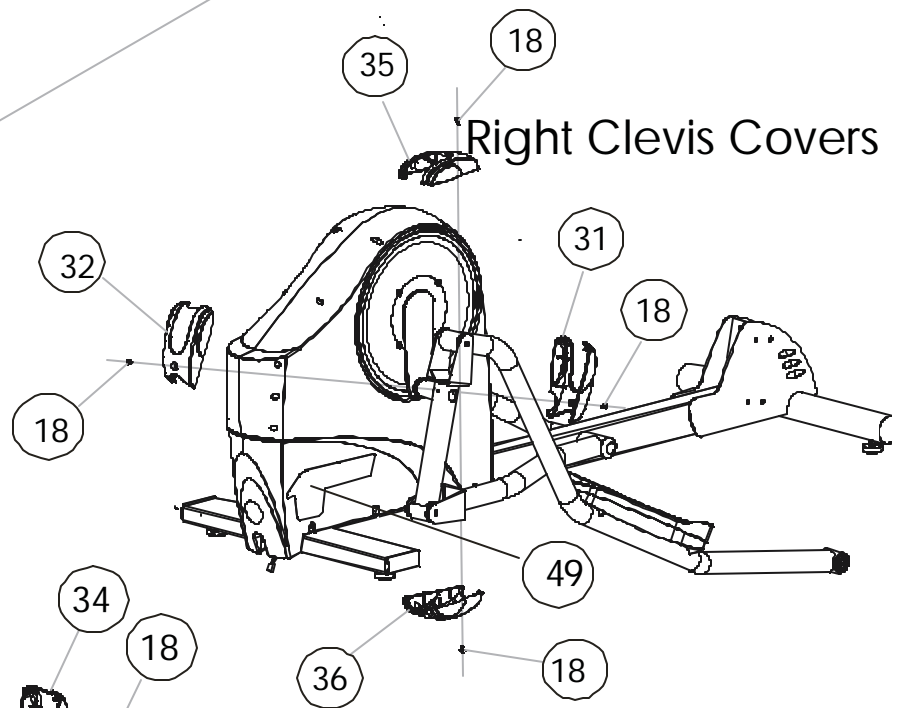
Crank/Cover Assemblies



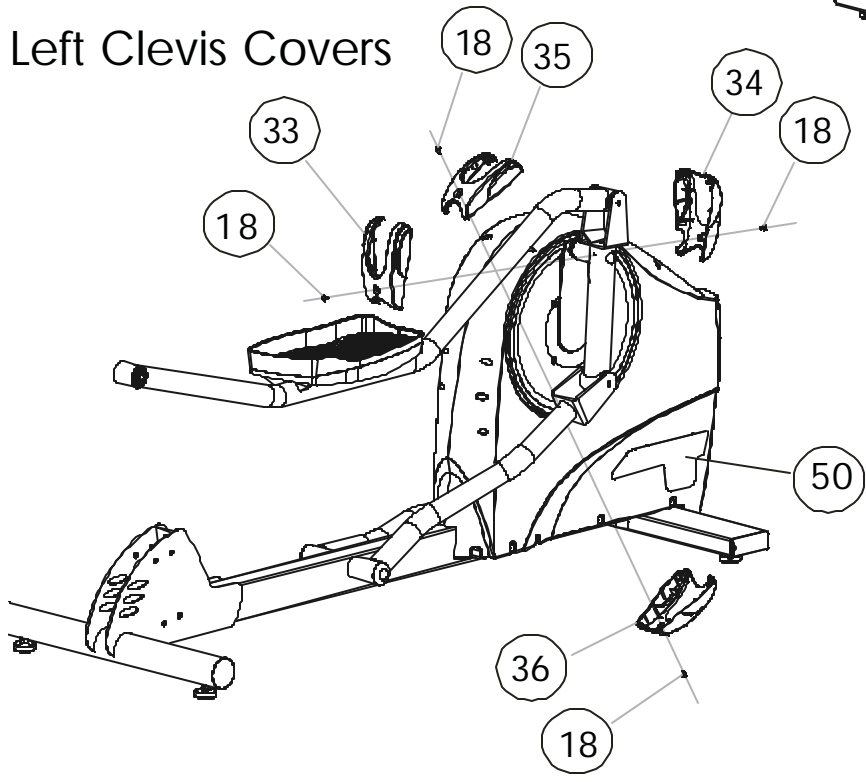
Lower Shroud Assemblies



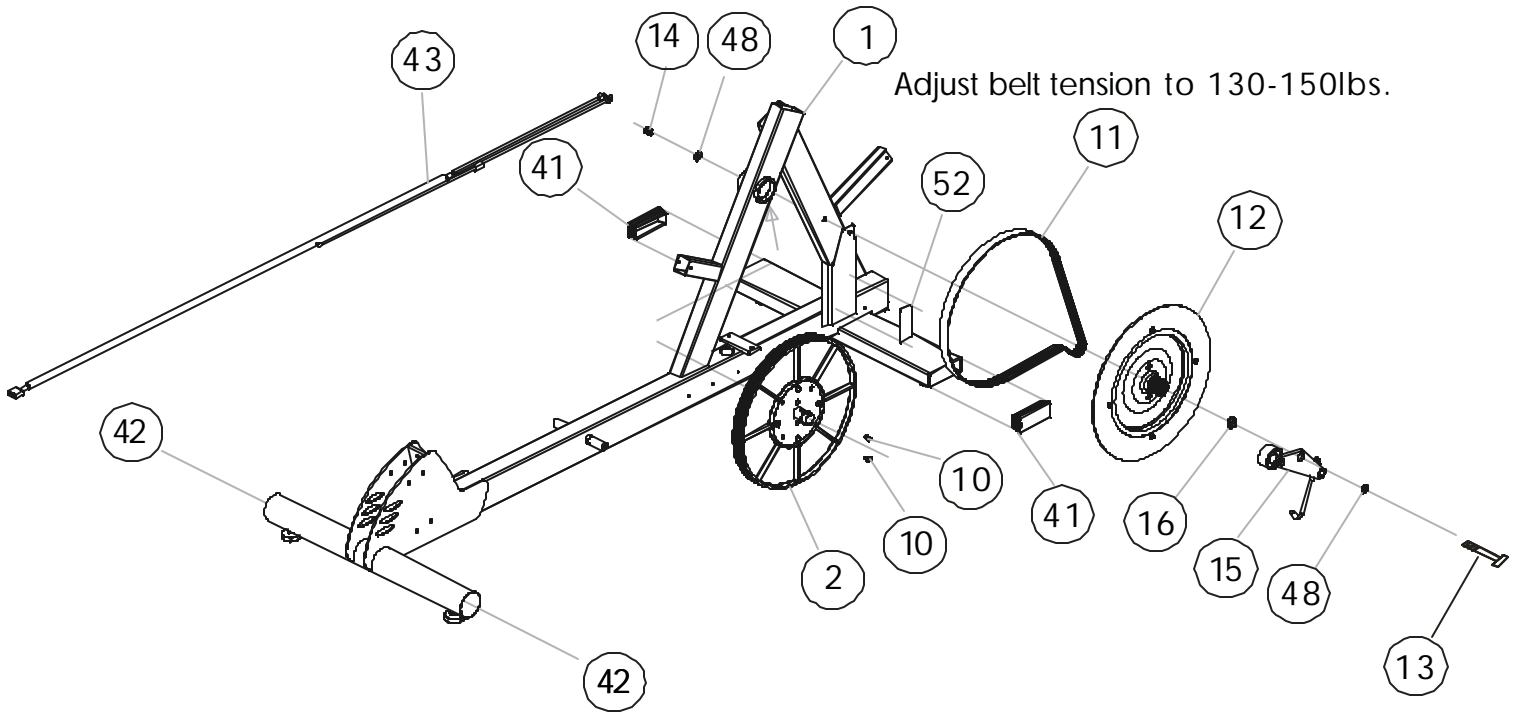
Right Clevis Covers



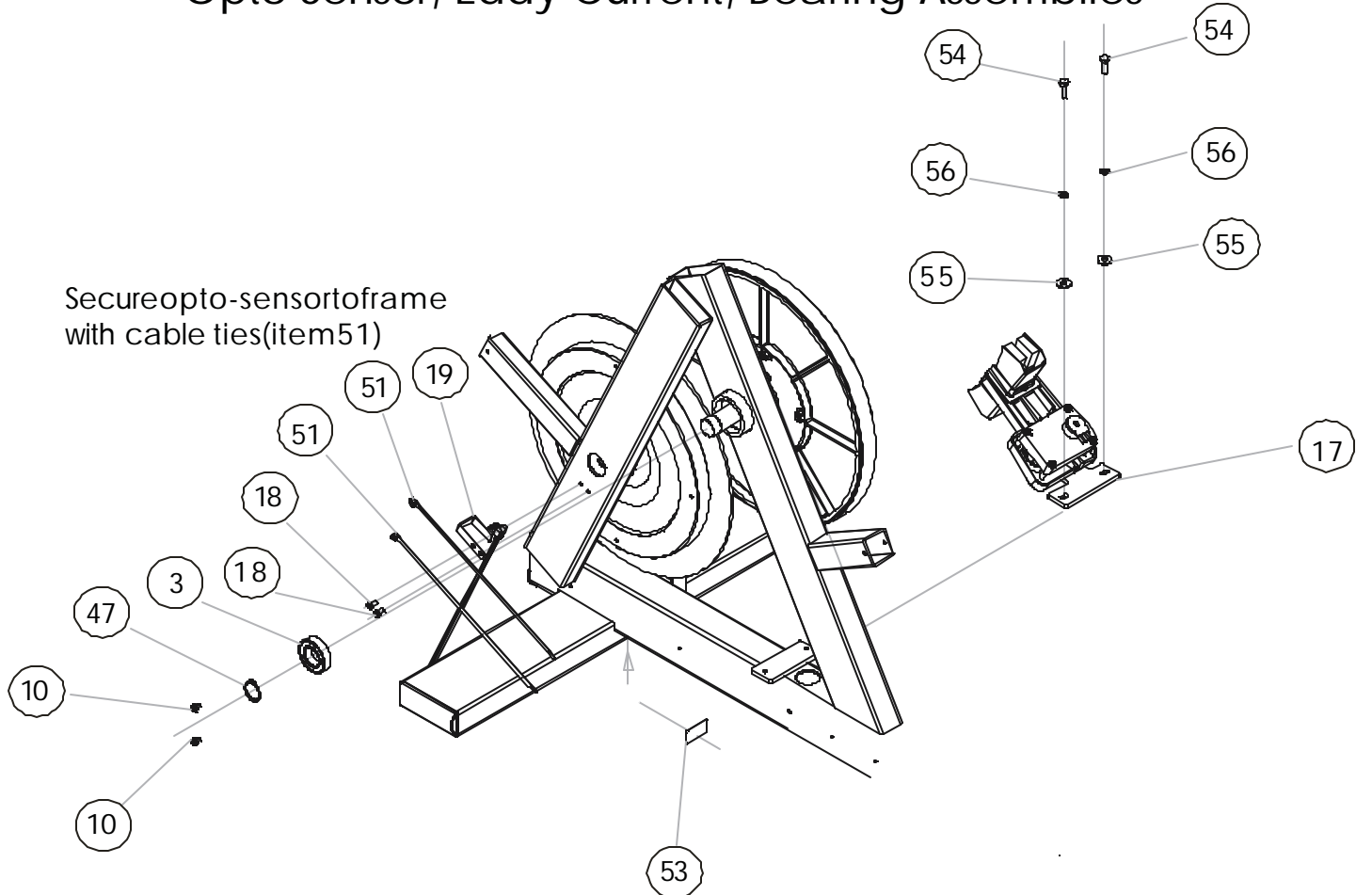
Left Clevis Covers



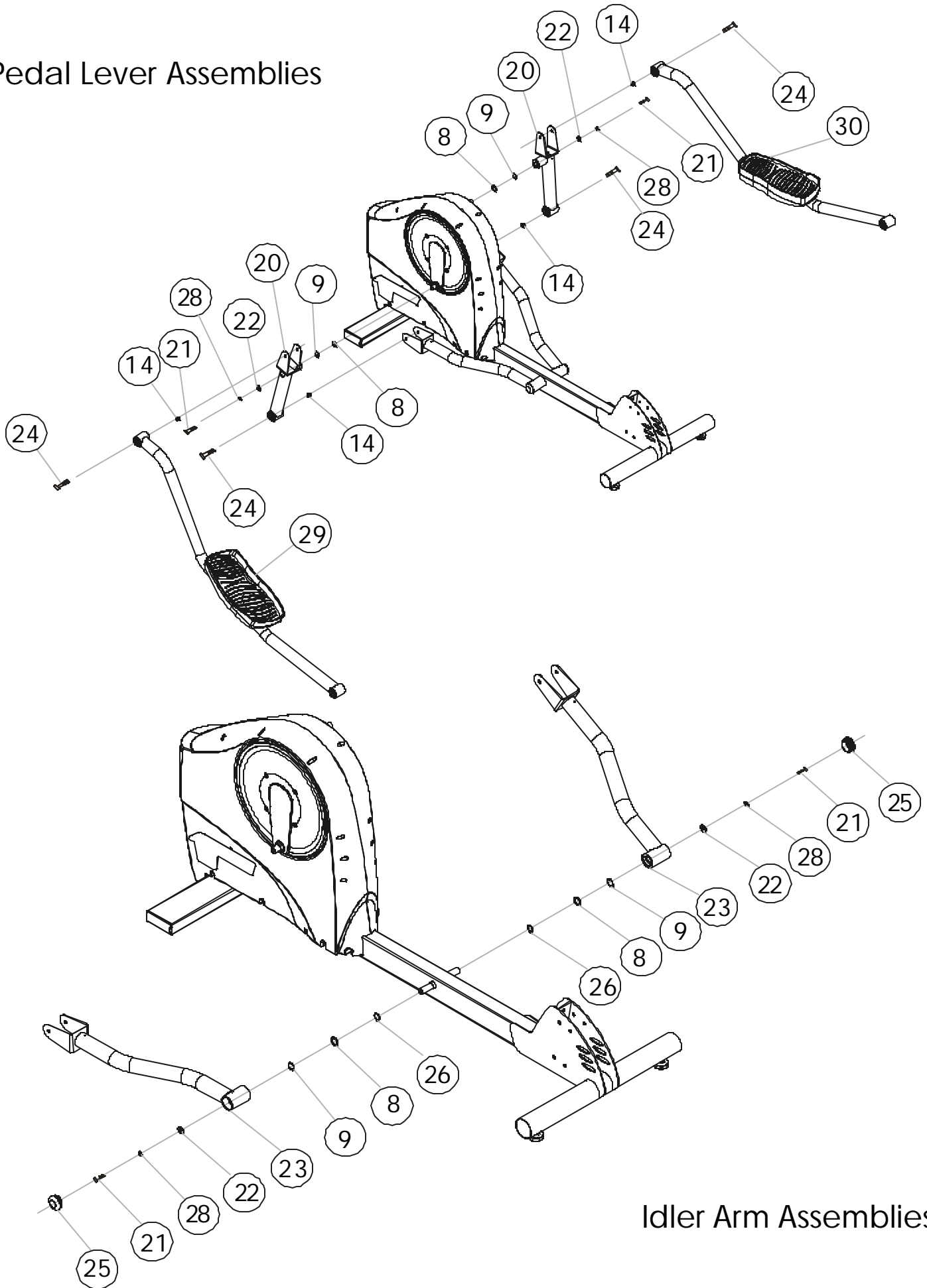
Main Cable, Crankshaft, Flywheel, Tensioner, Poly-V Belt Assemblies



Opto Sensor, Eddy Current, Bearing Assemblies



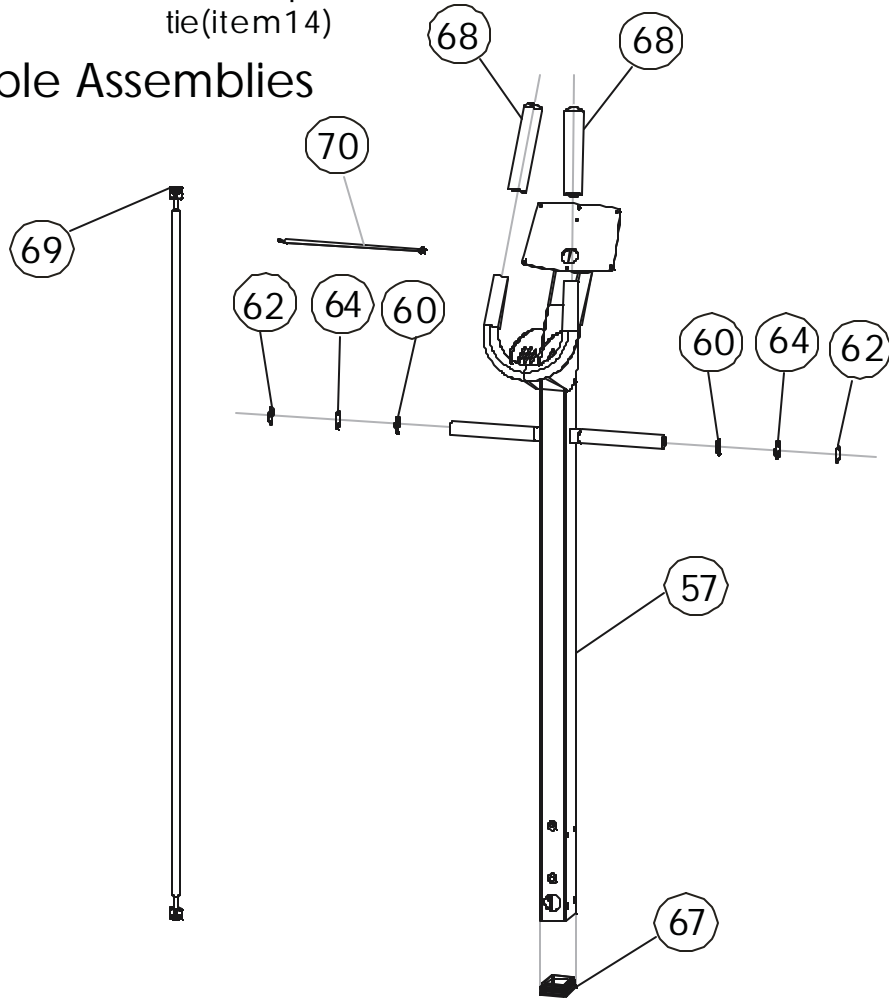
Pedal Lever Assemblies



Idler Arm Assemblies

Secure cable assembly to
console plate with cable
tie (item 14)

Upright/Cable Assemblies



Rocker Arm Assemblies

